

Is my ebike compatible with eKAPIC cranks?

Please, follow these simple steps to know if your ebike is compatible with our cranks.

It will take you just 5 minutes and you will only need a meter to take two measurements on your bike.

Step 1 // Be sure of your eMTB engine is one of the next ones:

**BOSCH®
Gen4**

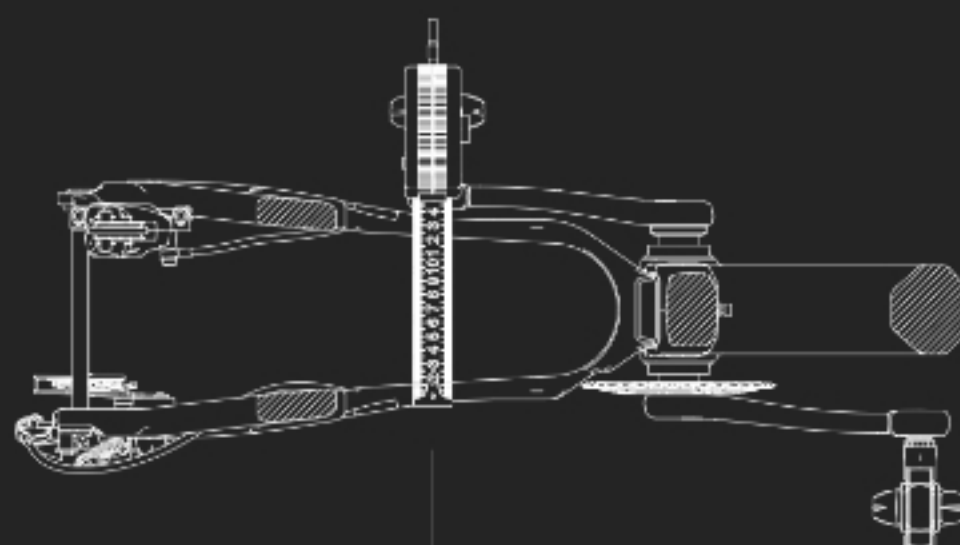
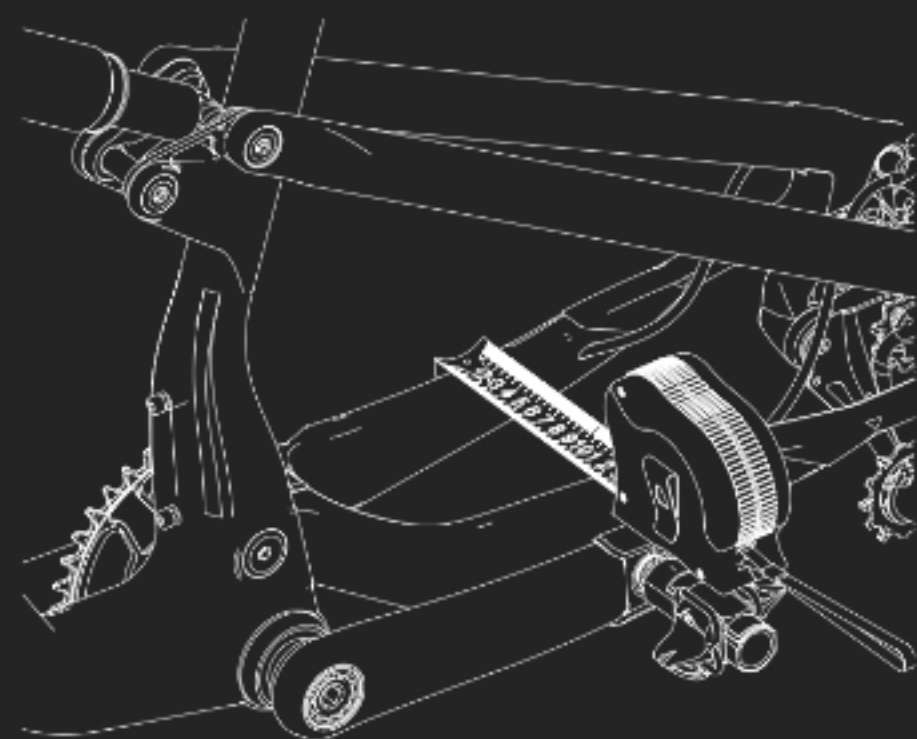
BROSE® Mag

**FAZUA®
Evation**

POLINI® E-P3

Step 2 // If the engine model of your eMTB matches one of these models, take the measurement of the width of the frame from 17 cm of the middle of the crank axle.

Step 3 // Add to the obtained value 2 cm for each side.



Value = _____ cm

2 cm + VALUE + 2 cm = _____ cm (Space)

Step 4 // If the value obtained (Space) is less than the Q-Factor indicated below for the engine model of your eMTB, our ROTOR eKAPIC crank arms are compatible with your eMTB.

eKAPIC BOSCH® Gen4

QF 171 // 17.1 cm

eKAPIC FAZUA® Evation

QF 169 // 16.9 cm

eKAPIC BROSE® Mag

QF 170 // 17 cm

QF 184 // 18.4 cm

eKAPIC POLINI® E-P3

QF 174 // 17.4 cm